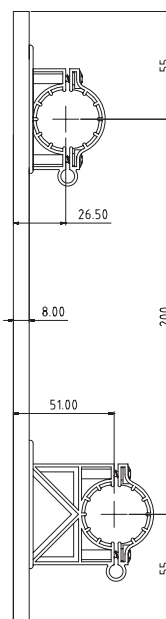
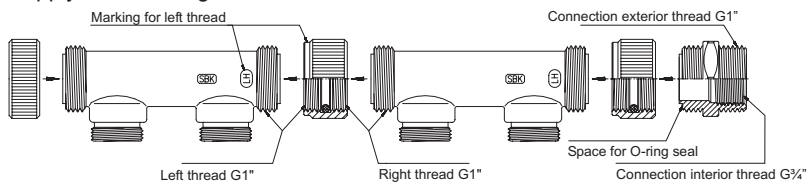


SBK Distribution manifold 1000

Supply manifold segment



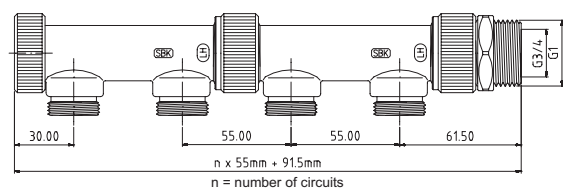
Advice for installation

Turn in the screw nut in the segment one rotation

Turn in the next segment into the connection nut

Align the segments and screw nuts

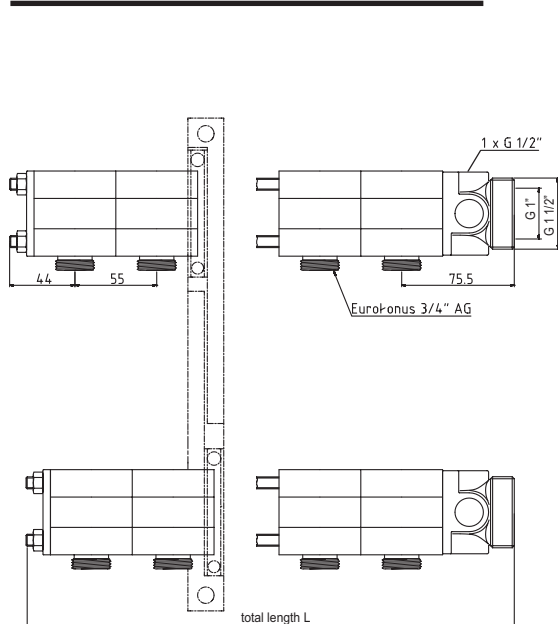
Return segment



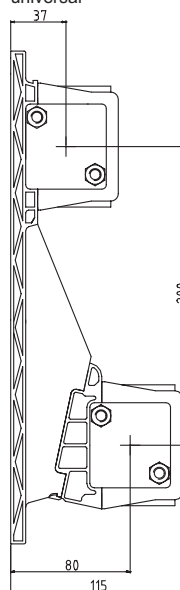
distributor length in mm

number of circuits	2	3	4	5	6	7	8	9
w ith connection block w ithout 1/2" hole	146,5	201,5	256,5	311,5	366,5	421,5	476,5	531,5
w ith connection block w ith 1/2" hole	166,5	221,5	276,5	331,5	386,5	441,5	496,5	551,5

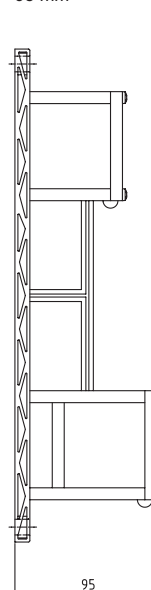
SBK Distribution manifold 2000



Cabinet clamp or wall fastener universal



Cabinet clamp or wall fastener 95 mm



Number of circuits	2	3	4	5	6	7	8	9	10	11	12	13	14	15	16	17
total length L (mm)	185	240	295	350	405	460	515	570	625	680	735	790	845	900	955	1010
length of bars (mm)	135	190	245	300	355	410	465	520	575	630	685	740	795	850	905	960