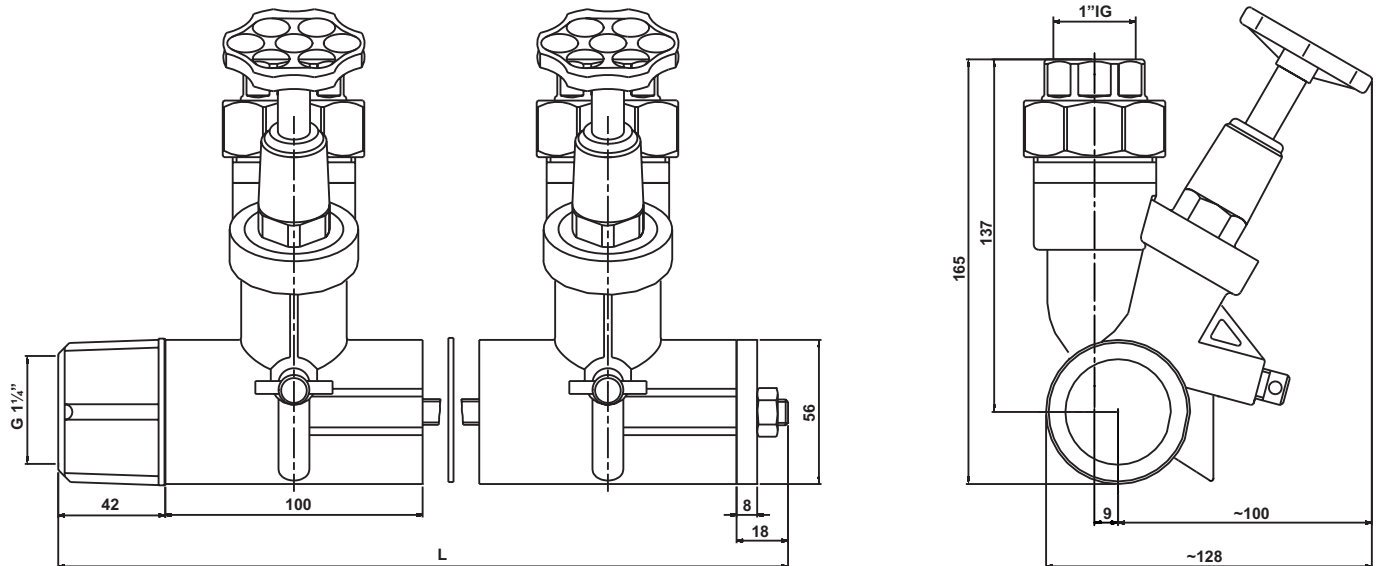


SBK -Water manifold 4001



Number of circuits	2	3	4	5	6	7	8	9
Total length (mm)	260	360	460	560	660	760	860	960
Length of threaded bars M8 galvanized (mm)	230	330	430	530	630	730	830	930

Application area:

Suitable for water, water glycol mixture up to 30% concentration.

Request written release of the manufacturer, if rust-proofing or anti-freezing agents, acids or leaches or other additives are used.

Not suitable for areas where ammonia or ammoniacal compounds occur.

Don't apply in outside areas! Protect against UV-radiation!

Installation only in dry environment, if operating or ambient temperatures are below freezing point.

max. test pressure:

10 bar. Execute pressure test only with water!

max. positive operating pressure:

6 bar

Operating temperatures:

-20°C to +90°C

Material:

Case made of plastic, brass parts made of CuZn40Pb2, gaskets and bellow made of EPDM

Tightening torques:

Nuts M8: 4 Nm
 Upper part with bellow: 20 Nm
 Upper part with non-return flap: 20 Nm

The manifold installation:

1. Cut threaded bars to length and screw them into connection block, put off flat gasket.
2. Put off individual modules with flat gasket.
3. Put on end plate.
4. Tighten nuts until modules lie together.

SBK -Water manifold 4001

Flow rate value:

1,02 l/s by dp 0,1 bar

Miscellaneous:

Use screw connections which make an easy exchange of the manifold possible.

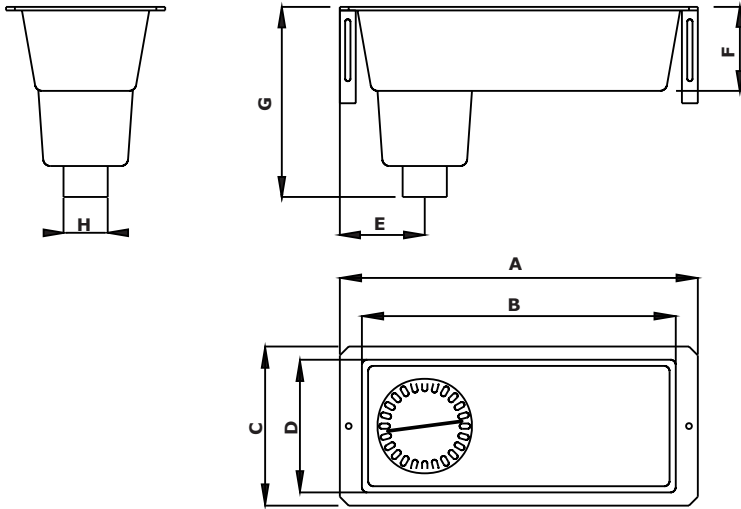
Close not connected manifold circuits with plugs or caps.

The connected pipes at the manifold circuit may not exert permanent tensile or pressure load on the manifold.

The manifold circuits are rotatable 180° against each other.

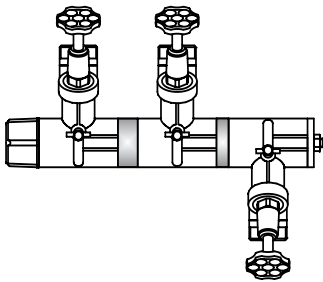
They can be adapted on different pipe distances by spacers.

SBK -Water drain gutter



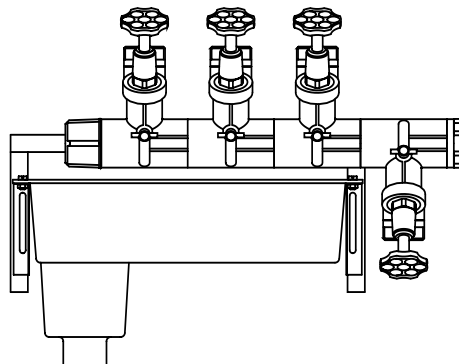
all measures in mm									
Item no.	Overall length / version	A	B	C	D	E	F	G	H
8.011.000	360 mm / plastic	405	360	180	150	85	95	215	50
8.011.001	490 mm / plastic	535	490	180	150	85	95	215	50
8.011.002	620 mm / plastic	665	620	180	150	85	95	215	50

Installation and application examples:



Water manifold 4001
Connection on the left
Two circuits up, one circuit
down

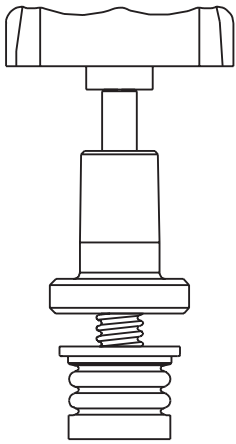
Spacers between the circuits
for an exact adaptation to an
existing installation



Water manifold 4001
Connection on the left
Three circuits up, one circuit
down

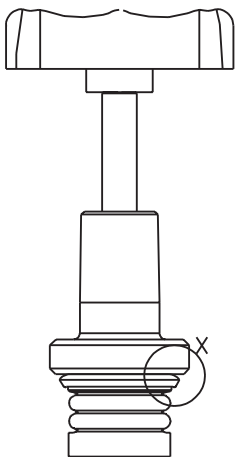
With drain gutter and mounting clamp for a
simple and quick installation

SBK -Water manifold 4001 - Installation instructions upper part with bellow

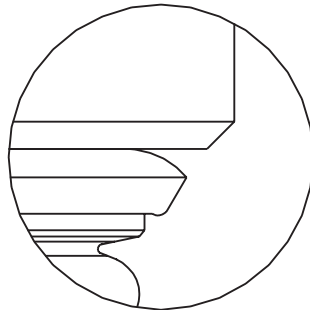


False!

Spindle is unscrewed too much.
Bellow doesn't lie against upper part.

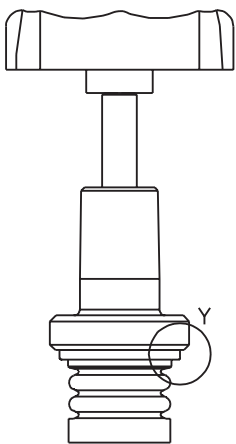


X5 : 1

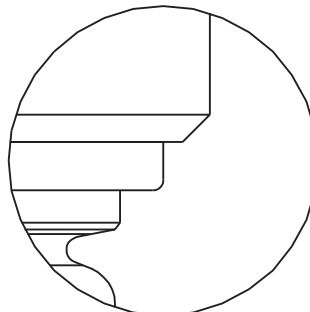


False!

Spindle is screwed in too much.
Bellow doesn't lie against upper part.



Y5 : 1



Right!

Bellow lies against upper part.
Now screw in into plastic case.